

SCALE 1/8

**Borroughs** CORPORATION  
 3002 N BURBICK ST  
 KALAMAZOO, MI 49004-3483

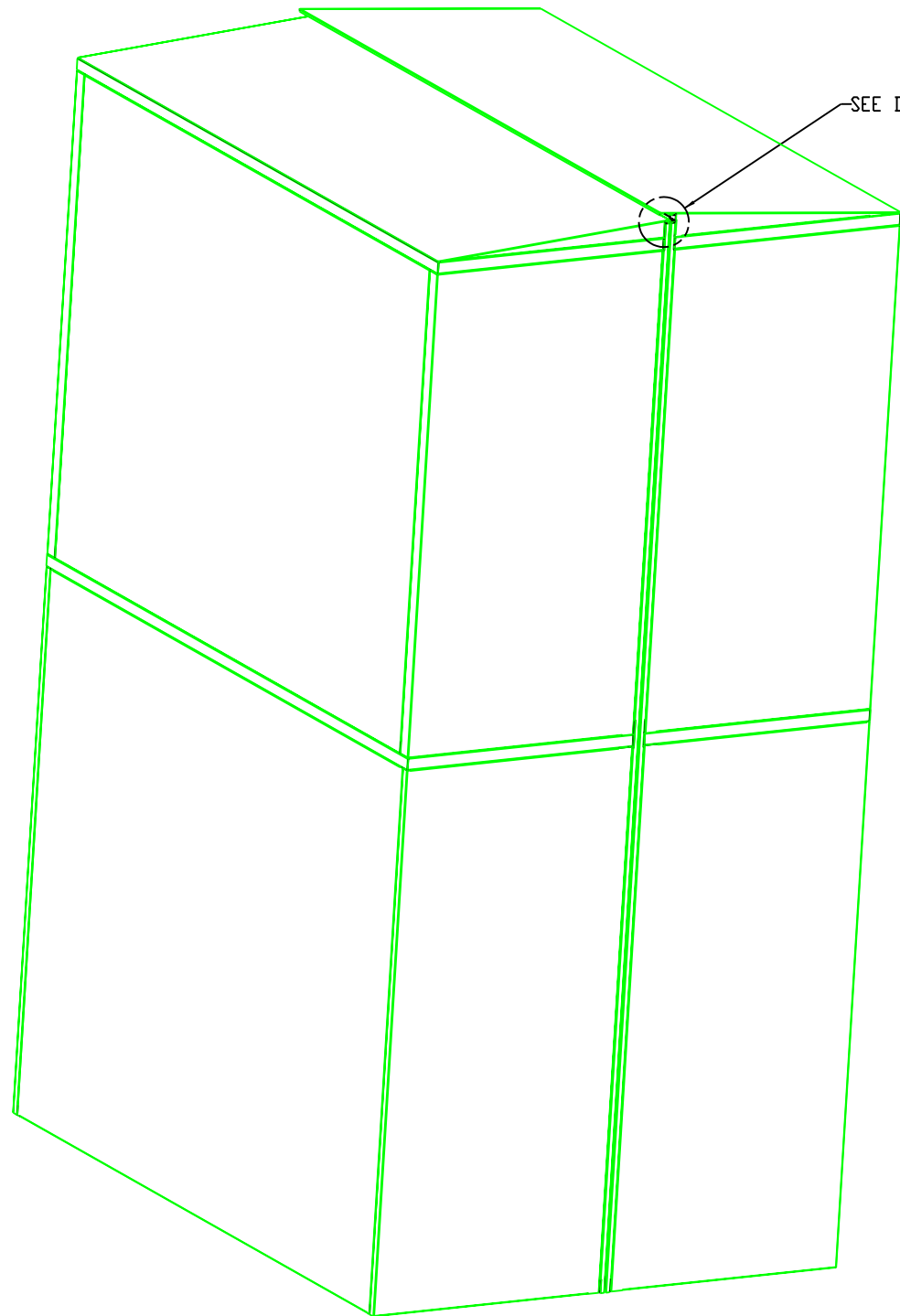
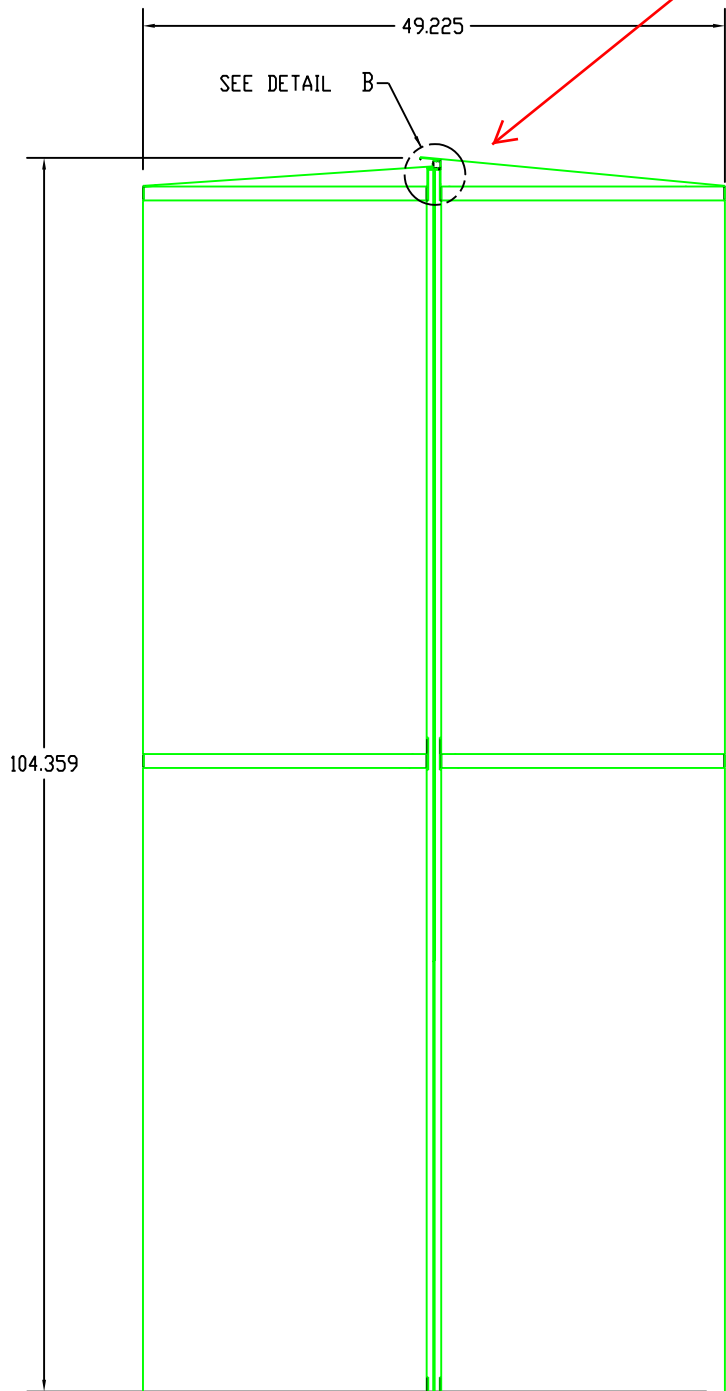
|                                       |                 |
|---------------------------------------|-----------------|
| DO NOT SCALE DRAWING                  | MAT'L: --       |
| TOLERANCES UNLESS OTHERWISE SPECIFIED | GAGE: --        |
| ANGLES ±1°                            | FINISH: PAINTED |
| LINEAR DIMENSIONS ±1/32               | SCALE: --       |
|                                       | REF: --         |
|                                       | PAINT: --       |

|    |     |      |    |      |      |     |      |
|----|-----|------|----|------|------|-----|------|
| DR | PJM | DATE | CK | DATE | ENGR | PJM | DATE |
|    |     |      |    |      |      |     |      |

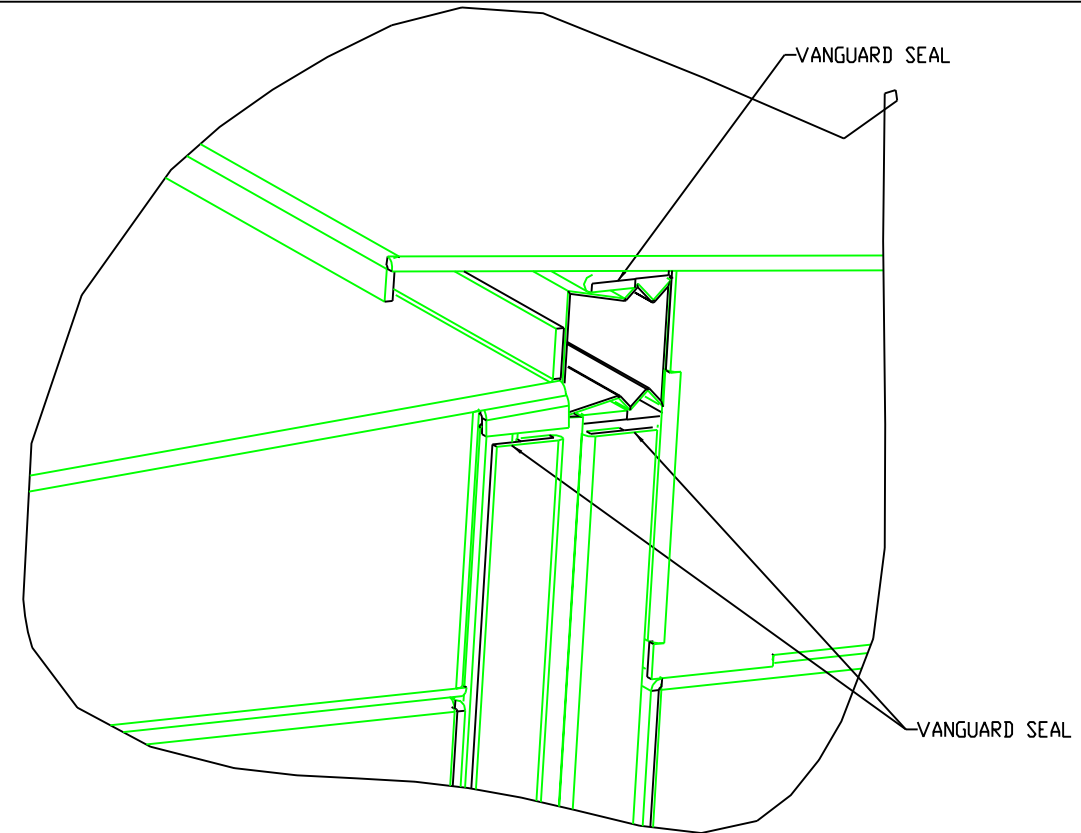
NAME: WATER SHIELD MUSEUM CABINET

|                  |     |        |          |      |    |       |           |
|------------------|-----|--------|----------|------|----|-------|-----------|
| 80-D-201104-0000 | STN | ECH NO | REVISION | DATE | BY | CHK'D | REL. DATE |
|                  |     |        |          |      |    |       |           |
|                  |     |        |          |      |    |       |           |
|                  |     |        |          |      |    |       |           |
|                  |     |        |          |      |    |       |           |

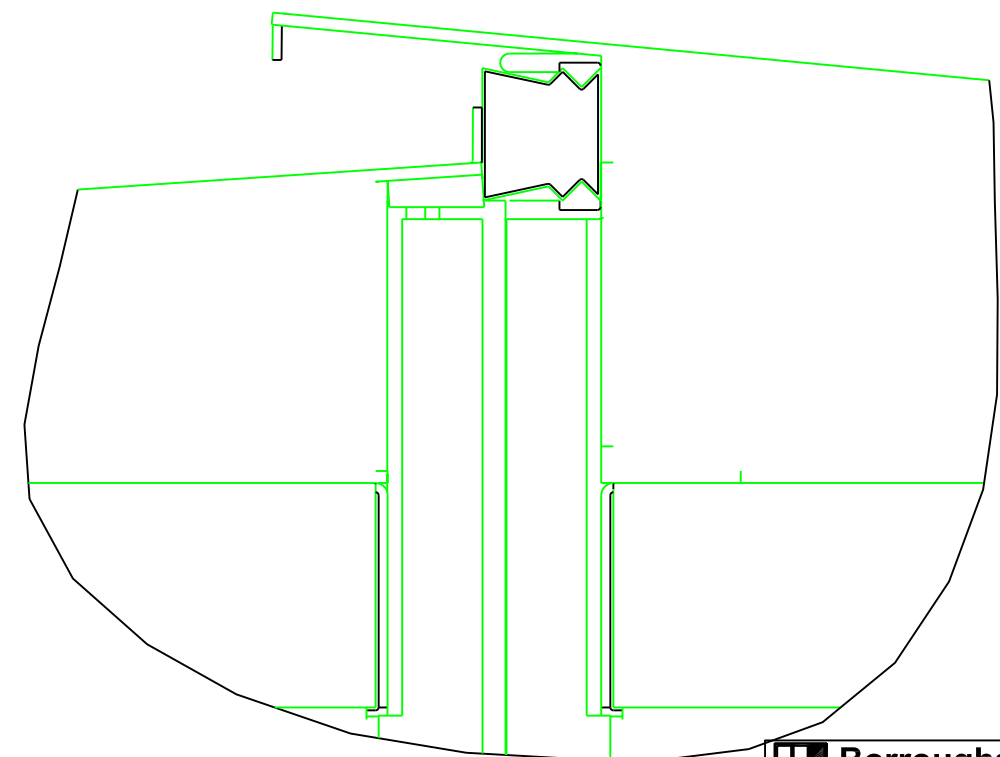
The sloping roof design of the compacting cabinets provides a water tight seal, and assures that water will not pool on top of the units.



SCALE 1/8



DETAIL A  
SCALE 2/1



DETAIL B  
SCALE 2/1

**Borroughs** CORPORATION  
 3002 N BURDICK ST  
 KALAMAZOO, MI 49004-3483

DO NOT SCALE DRAWING  
 TOLERANCES UNLESS OTHERWISE SPECIFIED  
 ANGLES ±1°  
 LINEAR DIMENSIONS ±1/32

MAT'L: --  
 GAGE: --  
 FINISH: PAINTED  
 SCALE: --  
 REF: --  
 PAINT: --

BR PJM DATE 02 - DATE ENGR PJM DATE  
 NAME: WATER SHIELD MUSEUM CABINET

PART NO  
 DWG NO 80-D-201104-0000 REV --

|                  |     |        |          |      |    |       |          |
|------------------|-----|--------|----------|------|----|-------|----------|
| 80-D-201104-0000 | SYN | ECN NO | REVISION | DATE | BY | CHK'D | REL DATE |
|                  |     |        |          |      |    |       |          |
|                  |     |        |          |      |    |       |          |
|                  |     |        |          |      |    |       |          |
|                  |     |        |          |      |    |       |          |
|                  |     |        |          |      |    |       |          |
|                  |     |        |          |      |    |       |          |
|                  |     |        |          |      |    |       |          |
|                  |     |        |          |      |    |       |          |
|                  |     |        |          |      |    |       |          |